



MWS 2,3 -12

12V 2,3 Ah

Batteries MW Power series MWS are designed mainly for use in control panels charging systems . Thanks to profitable quality/ price relation, the batteries MW -S gained recognition of many clients. The batteries of this type can also be used as a source of charging in portable devices.

Service life is 3 -5 years for 20-25 °C .

Specification

Nominal voltage	12 V	
Nominal capacity	2,3 Ah	
Dimensions	Lenght	179 mm
	Width	35 mm
	Height	60 mm
	Total height	66 mm
Weight	1,00 kg	

Characteristic

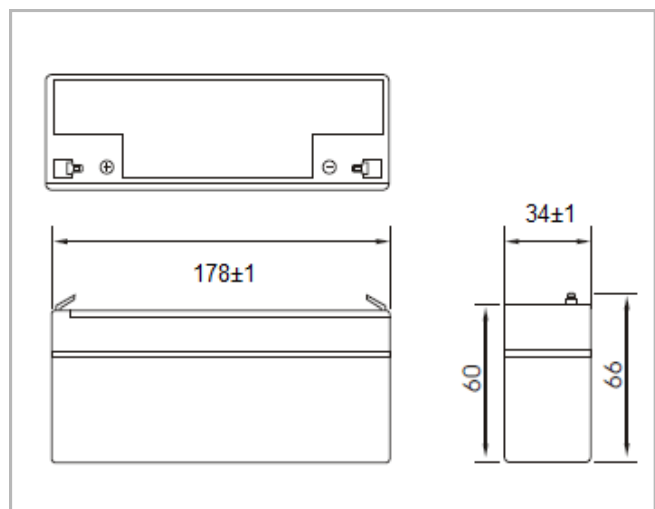
Capacity for 25 °C and cut-off voltage 10.5 V	20h	2,3 Ah
	10h	2,1 Ah
	5h	1,85 Ah
Internal resistance	charged battery	42 mΩ
Capacity	for 20 °C	100%
	for 0 °C	85%
	for -15 °C	65%
Self -discharge	3 m -ths	91%
	6 m -ths	82%
	12 m -ths	64%
Terminal	Fast -on 187 (T1)	
Charging	Standby use	13,50 - 13,80V
	Cyclic use	14,40 - 15,00V
Max. charge current	0,70 A	
Max. discharge current	25 A (5 sec.)	
Temperatures of work:		
Discharging: -20°C ÷ 50°C		
Charging: -20°C ÷ 50°C		
Storage: -20°C ÷ 50°C		

Compliance with standards

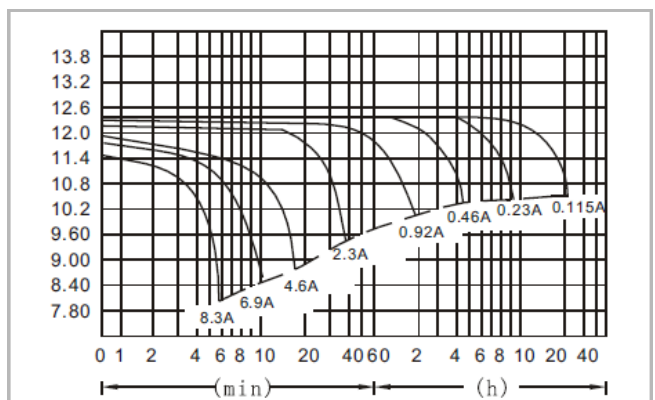
PN -EN 60896 -21:2007
 PN -EN 60896 -22:2007
 PN -EN 61056 -1:2008
 PN -EN 61056 -2:2003(U)
 PN -E -83016:1999



Dimensions



Input -discharge at 25 °C



Terminal

